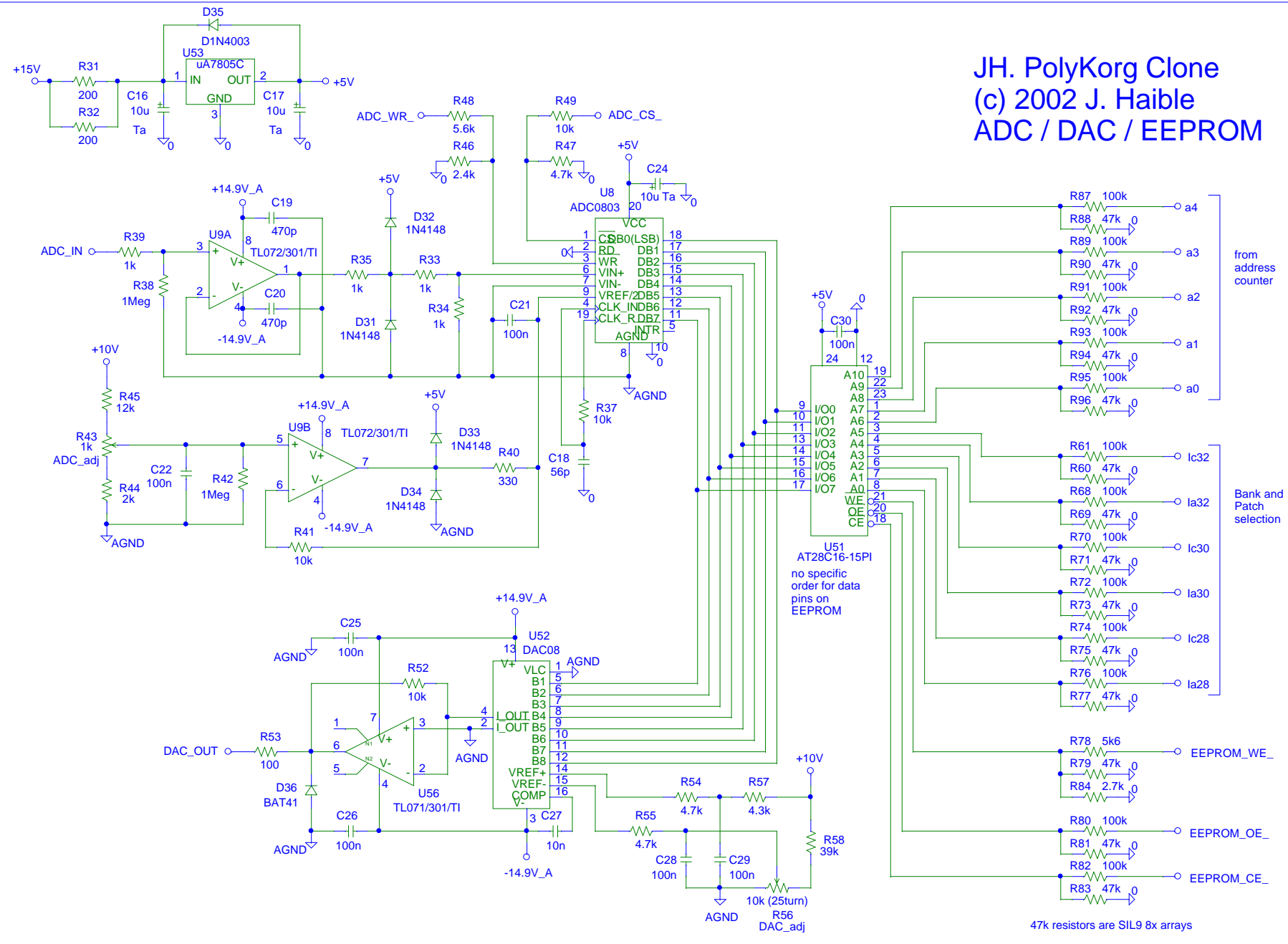


JH. PolyKorg Clone

(c) 2002 J. Haible
ADC / DAC / EEPROM



47k resistors are SIL9 8x arrays