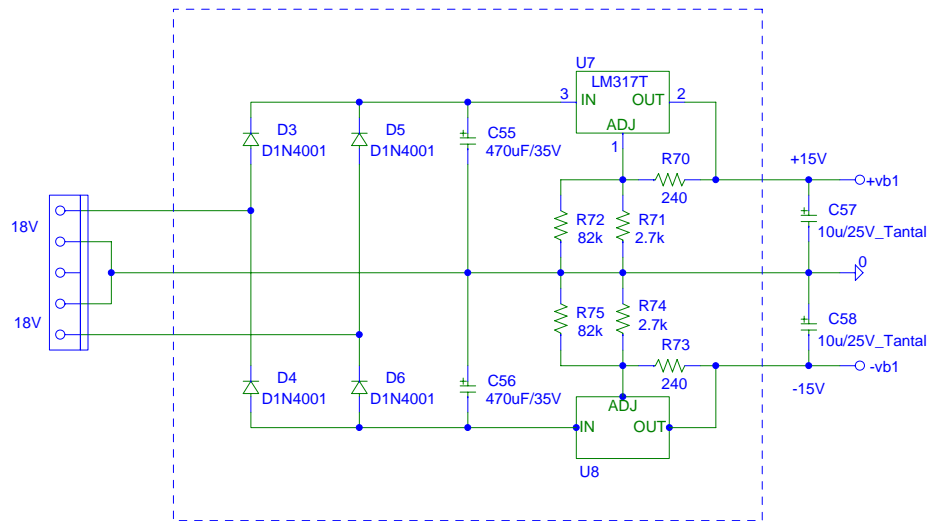


JH 20-pole Phaser
(c) 2007 J.Haible
inspired by ARP, Tau and Aries circuits
Drawing 4:
Power Supply



Components inside dotted Box are not needed when a stabilized +/-15V supply is available